

# sidekiq™ Stretch

Wideband RF transceiver  
+ FPGA, GPS and  
integrated pre-select filters



Actual Size



## Pocket-Sized SDR With Filters and GPS Compatible with millions of computer systems

The Sidekiq Stretch is a highly-integrated and highly compatible RF powerhouse in the Sidekiq product family. Packing the hardware that would traditionally require three separate cards into a single, small form factor radio module, the embeddable Stretch uses Analog Devices' AD9361 RFIC for high performance and flexibility, and adds both a GPS disciplined oscillator (GPSDO) for excellent long-term positioning accuracy and tunable Rx pre-select filtering for optimum interference protection. These and other integrated features create a complete, high performance, low latency, wideband transceiver in an M.2 2280 card. In this form factor, Sidekiq Stretch can be used in millions of host devices where a PCIe-based NVMe® solid state drive (SSD) is supported. Its small size, high compatibility, and high level of performance radically simplifies product development and makes Sidekiq Stretch an ideal choice for use anywhere where low size, weight, and power (SWaP) are critical.

The Sidekiq Stretch is offered in two form factors:

- **Standard Sidekiq Stretch (22mm x 80mm) card.** This card is ready for integration into a host computing device with a compatible M.2 2280 slot.
- **Thunderbolt 3 (TB3) Platform.** A standard Sidekiq Stretch card integrated into a TB3 carrier with a small enclosure that provides SMA ports for RF, and a TB3 compatible USB-C connector for both power and connectivity to the host.



Sidekiq Stretch in TB3 Chassis

Use Sidekiq Stretch with the Sidekiq Platform Development Kit (PDK).\* PDK users can access both a software API for interfacing to the card, as well as the source code for the FPGA reference design for customization. The software API provides an easy-to-use interface for configuring the RF transceivers and streaming data between the host and Sidekiq Stretch over the PCIe interface. Advanced users can add their own processing blocks to the FPGA to significantly increase the signal processing capabilities of the system.

\* Platform Development Kit (PDK) required for initial purchase.

## RF SPECIFICATION

### RF INTERFACE

Antenna Port 1: U.FL coaxial connector supporting Rx

Antenna Port 2: U.FL coaxial connector supporting either Tx or Rx

### RF TUNING RANGE

70 MHz to 6 GHz

### RF CHANNEL BANDWIDTH

Up to 50 MHz

### TYPICAL RX NOISE FIGURE

< 8 dB

### TYPICAL RX IIP3

-10 dBm

### RX AND TX SAMPLE RATES RANGE

233 Ksamples/sec to 61.44 Msamples/sec

### A/D AND D/A CONVERTER SAMPLE WIDTH

12-bits

### RX GAIN RANGE

0-76 dB, 1 dB steps

### TX GAIN RANGE

0-89 dB, 0.5 dB steps

### TYPICAL TX OUTPUT POWER

+10 dBm (+13 dBm < 2 GHz)

### GPS

NMEA sentences, PPS output, and frequency-disciplining

Multi-channel GPS and GLONASS/BEIDOU, SBAS, QZSS overlay systems receiver

U.FL antenna input, 3.3V bias for active GPS antenna

### EXTERNAL CLOCK REFERENCE

W.FL coaxial input, configurable for 10 MHz or 40 MHz input clock

W.FL coaxial output, 40 MHz signal suitable to drive another Sideiq module

### EXTERNAL PPS

W.FL coaxial input

## DIGITAL SPECIFICATION

### FPGA

Xilinx Artix 7 XC7A50T FPGA with x1 Gen2 PCIe interface to host

### FPGA REPROGRAMMING

Over PCIe (supports partial reconfiguration as well as reprogramming of FPGA boot flash)

### GPIO

Available at M.2 edge connector; one GPIO available on a W.FL connector

### COMPONENT TEMPERATURE RANGE

-40 deg C to +85 deg C

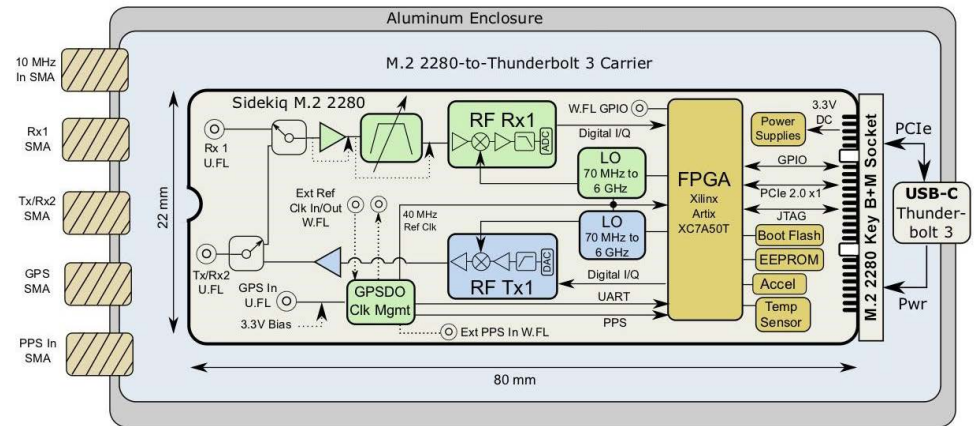
### TEMPERATURE SENSOR

-55 deg C to +125 deg C (+/- 2 deg C)

### MOTION TRACKING

6-axis, combining a 3-axis gyroscope and 3-axis accelerometer

## BLOCK DIAGRAM



Note: Not to scale

## RX PRE-SELECT FILTERING SPECIFICATION

Allows for flexible bandpass covering 50 MHz to 6 GHz

## PHYSICAL SPECIFICATION

### FORM FACTOR

M.2 2280 key B+M form factor, commonly used for NVMe SSD drives

### DIMENSIONS

22mm x 80mm x 4.5mm

### WEIGHT

9.07g

### TYPICAL POWER CONSUMPTION

2.5W

## THUNDERBOLT 3 PLATFORM SPECIFICATION

### DIMENSIONS

63.5mm x 136.2mm x 12.7mm

### WEIGHT

180g

### POWER CONSUMPTION

3W

### RF INTERFACE

SMA RF connectors for TX/RX, RX, CLK Reference, PPS, GPS

### INTERFACE TO HOST

Thunderbolt 3 over locking USB-C connector (provides both power and data transport)

Epiq Solutions exports its products strictly in accordance with all US Export Control laws and regulations which shall apply to any purchase or order.

Specifications subject to change without notice.

Epiq Solutions is a small business dedicated to advancing RF technology through products designed and manufactured in the U.S.A.

